



RSXF4 LED Floodlight

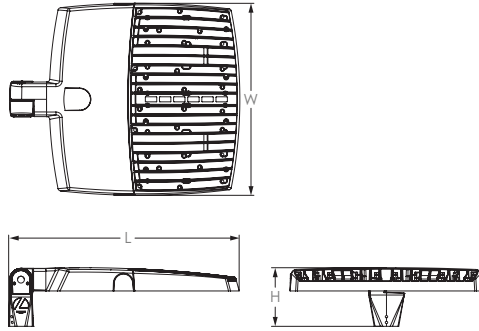


Catalog Number
Notes
Type

Hit the Tab key or mouse over the page to see all interactive elements.

Specifications

EPA (ft²@45°):	5.5 ft ² (0.51 m ²)
Length:	30.0" (76.2 cm) (IS mount)
Width:	25.0" (63.5 cm)
Height:	3.0" (7.6 cm) Main Body 7.6" (19.3 cm) Arm
Weight (max):	68 lbs (30.8 kg)



Introduction

The new RSXF LED Flood family delivers maximum value by providing significant energy savings, long life and outstanding photometric performance at an affordable price. The RSXF4 delivers 40,000 to 85,000 lumens allowing it to replace 1000W and 1500W HID floodlights.

The RSXF features an adjustable integral slipfitter that allows the luminaire to be mounted on a 2-3/8" OD tenon. Integral cover/wire box serves as an approved splice compartment allowing for fast, easy mounting and wiring without opening the electrical compartment. A yoke and other mounting configurations are available.

Ordering Information

EXAMPLE: RSXF4 LED P8 40K WFL MVOLT IS DDBXD

RSXF4 LED					
Series	Performance Package	Color Temperature	Distribution	Voltage	Mounting
RSXF4 LED	P1	30K 3000K	AWFD Area Wide Forward	MVOLT (120V-277V) ²	IS Adjustable slipfitter (fits 2-3/8" OD tenon) ⁶
	P2	40K 4000K	WFL Wide Flood	HVOLT (347V-480V) ³	YKC64 Yoke with 16-3 SO cord, 4ft ⁶
	P3	50K 5000K	MFL Medium Flood ¹	XVOLT (277V-480V) ⁴	AASP Adjustable tilt arm square pole mounting ⁶
	P4		NFL Narrow Flood	(use specific voltage for options as noted)	AARP Adjustable tilt arm round pole mounting ⁶
	P5		SP Spot	120 ⁵ 277 ⁵	AAWB Adjustable tilt arm with wall bracket ⁶
	P6		NSP Narrow Spot	208 ⁵ 347 ⁵	AAWSC Adjustable tilt arm wall bracket and surface conduit box ⁶
	P7			240 ⁵ 480 ⁵	
	P8				

Options		Finish
Shipped Installed PE Photocontrol, button style ^{7,8} PEX Photocontrol external threaded, adjustable ^{8,9} PER7 Seven-wire twist-lock receptacle only (no controls) ^{8,10,11,12} CE34 Conduit entry 3/4" NPT (Qty 2) SF Single fuse (120, 277, 347) ⁵ DF Double fuse (208, 240, 480) ⁵ SPD20KV 20KV Surge pack (10KV standard) FAO Field adjustable output ^{8,12} DMG 0-10V dimming extend out back of housing for external control (control ordered separate) ^{8,12} DS Dual switching ^{8,12}		DDBXD Dark Bronze DBLXD Black DNAXD Natural Aluminum DWHXD White DDBTXD Textured Dark Bronze DBLBXD Textured Black DNATXD Textured Natural Aluminum DWHGXD Textured White
Shipped Separately (requires some field assembly) UBV Upper/bottom visor FV Full visor BS Bird spikes ¹⁶		



COMMERCIAL OUTDOOR

One Lithonia Way • Conyers, Georgia 30012 • Phone: 800-705-SERV (7378) • www.acuitybrands.com
 © 2019-2021 Acuity Brands Lighting, Inc. All rights reserved.

Lithonia RSXF4 Flood LED
 Rev. 11/15/21
 Page 1 of 8

Ordering Information

Accessories

Ordered and shipped separately.

RSXF4FV (FINISH) U	RSXF4 Full visor (specify finish)
RSXF4UBV (FINISH) U	RSXF4 Upper/bottom visor (specify finish)
DLL127F 1.5 JU	Photocell -SSL twist-lock (120-277V) ¹⁷
DLL347F 1.5 CULJU	Photocell -SSL twist-lock (347V) ¹⁷
DLL480F 1.5 CULJU	Photocell -SSL twist-lock (480V) ¹⁷
DSHORT SBK U	Shorting cap ¹⁷

NOTES

- MFL not available with performance packages P7 and P8.
- MVOLT driver operates on any line voltage from 120-277V (50/60 Hz).
- HVOLT driver operates on any line voltage from 347-480V (50/60 Hz).
- XVOLT driver operates on any line voltage from 277V-480V (50/60 Hz). XVOLT not available with fusing (SF or DF) and not available with PE or PEX.
- Single fuse (SF) requires 120V, 277V or 347V. Double fuse (DF) requires 208V, 240V or 480V.
- Maximum tilt is 90° above horizontal.
- Requires MVOLT or 347V.
- Not available in combination with other light sensing control options (following options cannot be combined: PE, PEX, PER7, FAO, DMG, DS PIRHN).

- Requires 120V, 208V, 240V, 277V or 347V.
- Twistlock photocell ordered and shipped as a separate line item from Acuity Brands Controls. See accessories. Shorting Cap included. Dimming leads capped for future use.
- For units with option PER7, the mounting must be restricted to +/- 45° from horizontal aim per ANSI C136.10-2010.
- Two or more of the following options cannot be combined including DS, DMG, PER7, FAO and PIRHN.
- Must be ordered with PIRHN.
- Must be ordered with NLTAIR2. For additional information on PIRHN visit [here](#).
- Requires MVOLT or HVOLT.
- Must be ordered with fixture for factory pre-drilling.
- Requires luminaire to be specified with PER7 option. Ordered and shipped as a separate line item from Acuity Brands Controls.

External Shields



UBV Visor - Top Mounted



UBV Visor - Bottom Mounted

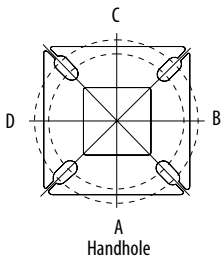


Full Visor - 360°

Pole/Mounting Information

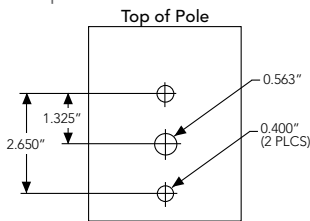
Accessories including bullhorns, cross arms and other adapters are available on pages 5-7. For the complete line of accessories available, visit the accessories tab at Lithonia's Outdoor Poles and Arms product page. Click here to visit [Accessories](#).

HANDHOLE ORIENTATION

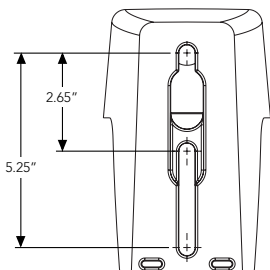


RSX POLE DRILLING

Template #8



RSXF ADJUSTABLE ARM



Round Tenon Mount - Pole Top Slipfitters

Tenon O.D.	RSX Mounting	Single	2 @ 180	2 @ 90	3 @ 120	3 @ 90	4 @ 90
2 - 3/8"	AARP	AS3-5 190	AS3-5 280	AS3-5 290	AS3-5 320	AS3-5 390	AS3-5 490
2 - 7/8"	AARP	AST25-190	AST25-280	AST25-290	AST25-320	AST25-390	AST25-490
4"	AARP	AST35-190	AST35-280	AST35-290	AST35-320	AST35-390	AST35-490

Drill Side Location by Configuration Type

Drilling Template	Mounting Option	Single	2 @ 180	2 @ 90	3 @ 120	3 @ 90	4 @ 90
#8	Head Location	Side B	Side B & D	Side B & C	Round Pole Only	Side B, C & D	Side A, B, C & D
#8	Drill Nomenclature	DM19AS	DM28AS	DM29AS	DM32AS	DM39AS	DM49AS

RSXF4 - Luminaire EPA

*Includes luminaire and integral mounting arm. Other tenons, arms, brackets or other accessories are not included in this EPA data.

Fixture Quantity & Mounting Configuration		Single	2 @ 90	2 @ 180	3 @ 90	3 @ 120	4 @ 90	2 Side by Side	3 Side by Side	4 Side by Side	
IS - Integral Slipfitter AASP/AARP - Adjustable Arm Square/Round Pole	Mounting Type	Tilt									
	0°	0.69	1.34	1.36	1.80	2.00	2.66	1.39	2.08	2.78	
	10°	1.13	2.05	2.22	3.10	2.91	4.01	2.26	3.39	4.52	
	20°	1.91	3.14	3.57	4.84	4.26	6.23	3.82	5.73	7.64	
	30°	3.23	4.70	5.70	7.25	6.52	9.31	6.46	9.69	12.92	
	40°	4.71	6.04	7.96	9.37	9.04	12.04	9.42	14.13	18.84	
	45°	5.46	6.72	9.10	10.47	10.31	13.40	10.92	16.38	21.84	
	50°	5.58	7.29	9.51	11.46	10.93	14.56	11.16	16.74	22.32	
	60°	5.81	8.50	10.35	13.44	12.41	16.89	11.62	17.43	23.24	
	70°	6.13	9.29	10.98	14.92	13.50	18.57	12.26	18.39	24.52	
	80°	6.28	9.88	11.47	15.86	14.22	19.72	12.56	18.84	25.12	
90°	6.43	10.17	11.78	16.26	14.56	20.33	12.86	19.29	25.72		
YK - Yoke Mounting	0°	0.88	1.62	1.72	2.19	2.41	3.21	1.66	2.49	3.32	
	10°	1.31	2.32	2.58	3.42	3.36	4.55	2.53	3.80	5.06	
	20°	2.09	3.41	3.93	5.16	4.71	6.77	4.09	6.14	8.18	
	30°	3.41	4.97	6.06	7.57	6.97	9.85	6.73	10.10	13.46	
	40°	4.89	6.31	8.32	9.69	9.49	12.58	9.69	14.54	19.38	
	45°	5.64	6.99	9.46	10.79	10.76	13.94	11.19	16.79	22.38	
	50°	5.76	7.56	9.87	11.78	11.38	15.10	11.43	17.15	22.86	
	60°	5.99	8.77	10.71	13.76	12.86	17.43	11.89	17.84	23.78	
	70°	6.31	9.56	11.34	15.24	13.95	19.11	12.53	18.80	25.06	
	80°	6.46	10.15	11.83	16.18	14.67	20.26	12.83	19.25	25.66	
	90°	6.61	10.44	12.14	16.58	15.01	20.87	13.13	19.70	26.26	



COMMERCIAL OUTDOOR

One Lithonia Way • Conyers, Georgia 30012 • Phone: 800-705-SERV (7378) • www.acuitybrands.com
© 2019-2021 Acuity Brands Lighting, Inc. All rights reserved.

Lithonia RSXF4 Flood LED
Rev. 11/15/21
Page 2 of 8

Photometric Diagrams

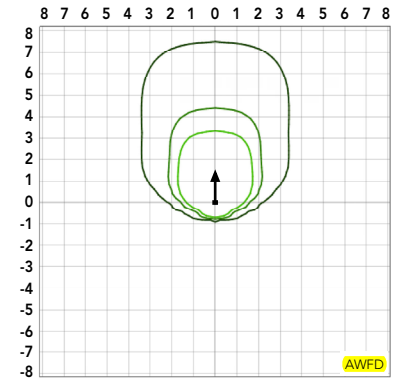
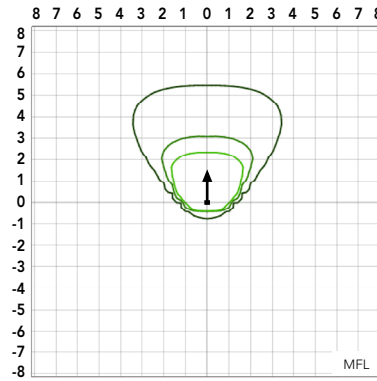
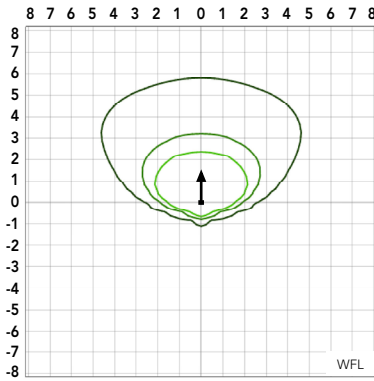
To see complete photometric reports or download .ies files for this product, visit Lithonia Lighting's [RSXF4 Flood homepage](#).

Isofootcandle plots for the RSXF4 LED P8 40K. Distances are in units of mounting height (40').

LEGEND

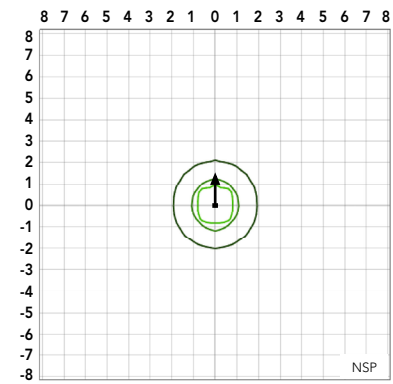
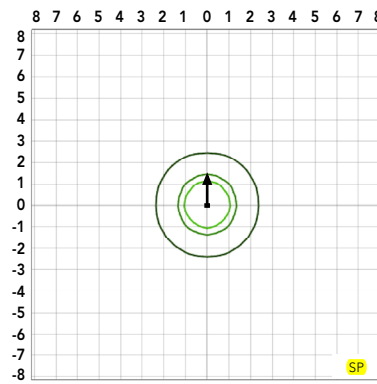
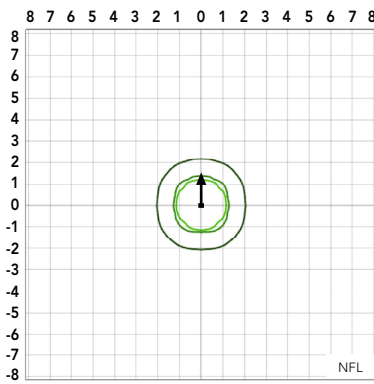
- 0.1 fc
- 0.5 fc
- 1.0 fc

Luminaires tilted at 45°



Note: Distribution type MFL shown at maximum performance package P6.

Luminaires tilted at 0°



Performance Data

Lumen Ambient Temperature (LAT) Multipliers

Use these factors to determine relative lumen output for average ambient temperatures from 0-50°C (32-122°F).

Ambient	Ambient	Lumen Multiplier
0°C	32°F	1.05
5°C	41°F	1.04
10°C	50°F	1.03
15°C	59°F	1.02
20°C	68°F	1.01
25°C	77°F	1.00
30°C	86°F	0.99
35°C	95°F	0.98
40°C	104°F	0.97
45°C	113°F	0.96
50°C	122°F	0.95

Electrical Load

Performance Package	System Watts (W)	Current (A)					
		120V	208V	240V	277V	347V	480V
P1	275W	2.34	1.38	1.22	1.08	0.83	0.62
P2	320W	2.60	1.56	1.37	1.22	0.97	0.71
P3	369W	3.08	1.79	1.57	1.39	1.09	0.80
P4	431W	3.61	2.11	1.88	1.76	1.24	0.90
P5	483W	3.97	2.28	1.99	1.74	1.36	0.98
P6	546W	4.48	2.55	2.21	1.93	1.54	1.12
P7	520W	4.28	2.47	2.15	1.88	1.54	1.11
P8	646W	5.54	3.13	2.71	2.34	1.90	1.37

Projected LED Lumen Maintenance

Operating Hours	50,000	75,000	100,000
Lumen Maintenance Factor	>0.97	>0.95	>0.92

Values calculated according to IESNA TM-21-11 methodology and valid up to 40°C.



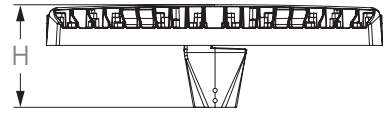
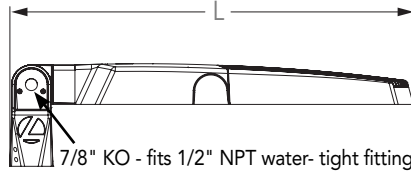
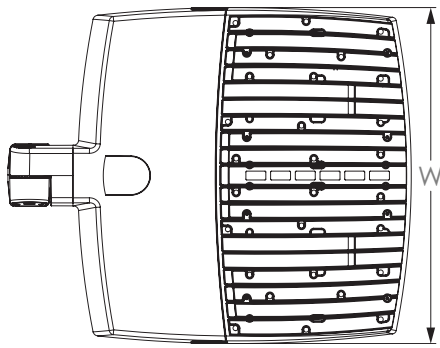
Lumen Output

Lumen values are from photometric tests performed in accordance with IESNA LM-79-08. Data is considered to be representative of the configurations shown, within the tolerances allowed by Lighting Facts. Contact factory for performance data on any configurations not shown here.

Performance Package	System Watts	Distribution Type	Field Angle		Beam Angle		30K			40K			50K		
			°H	°V	°H	°V	(3000K, 70 CRI)			(4000K, 70 CRI)			(5000K, 70 CRI)		
							Lumens	LPW	Max Cd	Lumens	LPW	Max Cd	Lumens	LPW	Max Cd
P1	275W	AWFD	119	120	69	41	37,453	136	30,678	41,149	150	33,706	41,149	150	33,706
		WFL	133	129	116	80	36,666	133	15,610	40,285	146	17,151	40,285	146	17,151
		MFL	105	110	91	96	37,721	137	17,126	41,444	151	18,816	41,444	151	18,816
		NFL	78	79	44	45	37,008	135	54,721	40,660	148	60,122	40,660	148	60,122
		SP	48	48	27	27	35,880	130	114,288	39,420	143	125,568	39,420	143	125,568
		NSP	42	43	19	21	36,350	132	191,937	39,938	145	210,881	39,938	145	210,881
P2	320W	AWFD	119	120	69	41	42,605	133	34,899	46,810	146	38,344	46,810	146	38,344
		WFL	133	129	116	80	41,710	130	17,758	45,827	143	19,511	45,827	143	19,511
		MFL	105	110	91	96	42,910	134	19,483	47,145	147	21,406	47,145	147	21,406
		NFL	78	79	44	45	42,099	131	62,251	46,254	144	68,395	46,254	144	68,395
		SP	48	48	27	27	40,815	127	130,014	44,843	140	142,847	44,843	140	142,847
		NSP	42	43	19	21	41,351	129	218,348	45,432	142	239,899	45,432	142	239,899
P3	369W	AWFD	119	120	69	41	47,519	129	38,923	52,208	141	42,765	52,208	141	42,765
		WFL	133	129	116	80	46,520	126	19,806	51,111	138	21,761	51,111	138	21,761
		MFL	105	110	91	96	47,859	130	21,730	52,581	142	23,874	52,581	142	23,874
		NFL	78	79	44	45	46,954	127	69,430	51,588	140	76,283	51,588	140	76,283
		SP	48	48	27	27	45,522	123	145,009	50,015	135	159,321	50,015	135	159,321
		NSP	42	43	19	21	46,120	125	243,530	50,671	137	267,566	50,671	137	267,566
P4	431W	AWFD	119	120	69	41	52,342	122	42,810	57,422	133	47,035	57,422	133	47,035
		WFL	133	129	116	80	51,201	119	21,784	56,215	131	23,934	56,215	131	23,934
		MFL	105	110	91	96	52,640	122	23,899	57,832	134	26,258	57,832	134	26,258
		NFL	78	79	44	45	51,643	120	76,364	56,739	132	83,901	56,739	132	83,901
		SP	48	48	27	27	50,387	117	159,490	55,009	128	175,232	55,009	128	175,232
		NSP	42	43	19	21	50,754	118	267,850	55,731	129	294,287	55,731	129	294,287
P5	483W	AWFD	119	120	69	41	58,213	120	47,683	63,958	132	52,389	63,958	132	52,389
		WFL	133	129	116	80	56,990	118	24,264	62,614	130	26,658	62,614	130	26,658
		MFL	105	110	91	96	58,629	121	26,620	64,415	133	29,247	64,415	133	29,247
		NFL	78	79	44	45	57,521	119	85,056	63,198	131	93,451	63,198	131	93,451
		SP	48	48	27	27	55,767	115	177,645	61,270	127	195,178	61,270	127	195,178
		NSP	42	43	19	21	56,499	117	298,339	62,075	128	327,785	62,075	128	327,785
P6	546W	AWFD	119	120	69	41	64,747	119	53,035	71,136	130	58,270	71,136	130	58,270
		WFL	133	129	116	80	63,387	116	26,987	69,642	128	29,651	69,642	128	29,651
		MFL	105	110	91	96	65,210	120	29,608	71,645	131	32,530	71,645	131	32,530
		NFL	78	79	44	45	63,977	117	94,603	70,291	129	103,940	70,291	129	103,940
		SP	48	48	27	27	62,027	114	197,584	68,148	125	217,085	68,148	125	217,085
		NSP	42	43	19	21	62,841	115	331,825	69,042	127	364,576	69,042	127	364,576
P7	520W	AWFD	119	120	69	41	66,229	127	56,581	72,765	140	62,166	72,765	140	62,166
		WFL	133	129	116	80	64,785	125	28,791	71,178	137	31,633	71,178	137	31,633
		NFL	78	79	44	45	65,346	126	100,928	71,795	138	110,890	71,795	138	110,890
		SP	48	48	27	27	63,757	123	210,794	70,049	135	231,600	70,049	135	231,600
		NSP	42	43	19	21	64,222	124	354,011	70,559	136	388,952	70,559	136	388,952
		P8	646W	AWFD	119	120	69	41	77,128	119	65,892	84,740	131	72,396	84,740
WFL	133			129	116	80	75,446	117	33,529	82,892	128	36,839	82,892	128	36,839
NFL	78			79	44	45	76,100	118	117,537	83,610	130	129,138	83,610	130	129,138
SP	48			48	27	27	74,250	115	245,483	81,577	126	269,712	81,577	126	269,712
NSP	42			43	19	21	74,791	116	412,267	82,171	127	452,958	82,171	127	452,958

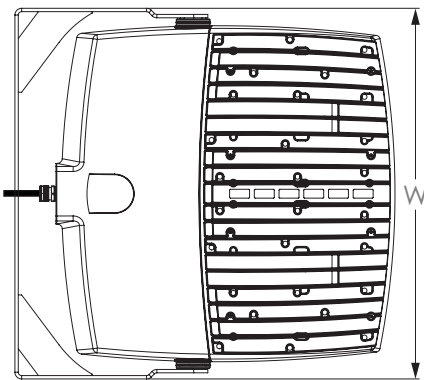
Dimensions

RSXF4 with Adjustable Slipfitter (IS)



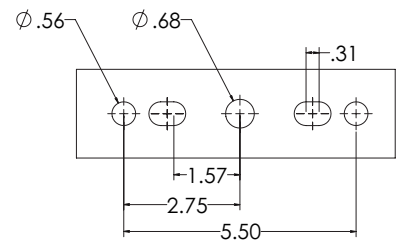
Length: 30.0" (76.2 cm)
 Width: 25.0" (63.5 cm)
 Height: 3.0" (7.6 cm) Main Body
 7.6" (19.3 cm) Arm

RSXF4 with Yoke (YKC64)



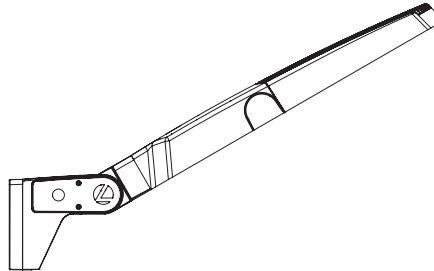
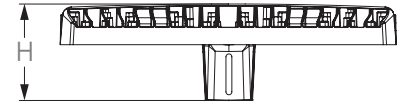
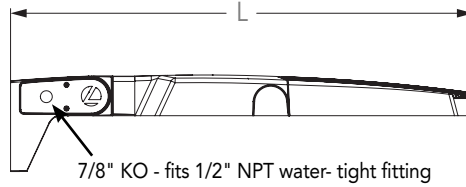
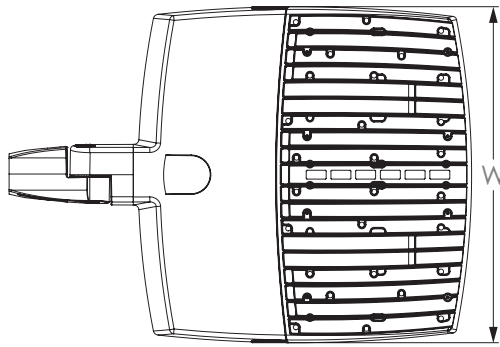
Length: 28.3" (96.3 cm)
 Width: 27.6" (63.5 cm)
 Height: 3.2" (7.6 cm) Main Body

Yoke (YK) Mounting Detail



Dimensions

RSXF4 with Adjustable Tilt Arm - Square or Round Pole (AASP or AARP)



NOTE:

RPA - Round Pole mount can also be used to mount on square poles by omitting the round pole adapter plate shown here.



Length: 34.4" (87.4 cm) **AASP**
35.4" (89.9 cm) **AARP**
Width: 25.0" (63.5 cm)
Height: 3.0" (7.6 cm) Main Body
7.2" (18.3 cm) Arm

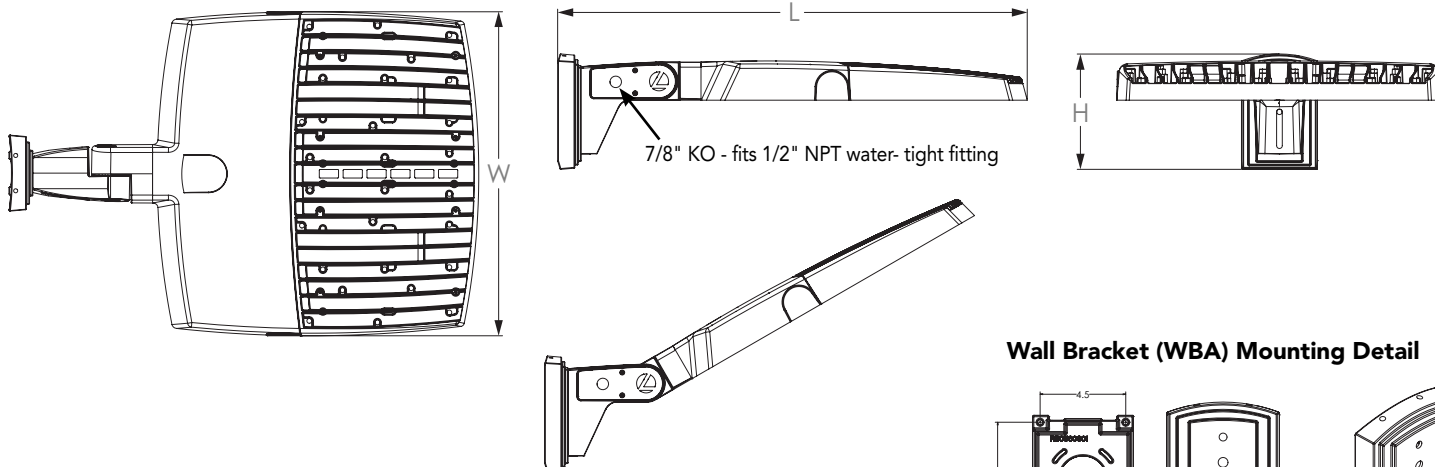
Notes

AASP: Requires 3.0" min. square pole for 1 at 90°. Requires 3.5" min. square pole for mounting 2, 3, 4 at 90°.

AARP: Requires 3.2" min. dia. round pole for 2, 3, 4 at 90°. Requires 3.0" min. dia. round pole for mounting 1 at 90°, 2 at 180°, 3 at 120°.

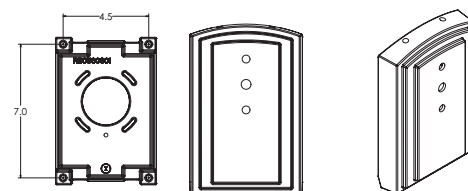
Dimensions

RSXF4 with Adjustable Tilt Arm with Wall Bracket (AAWB)

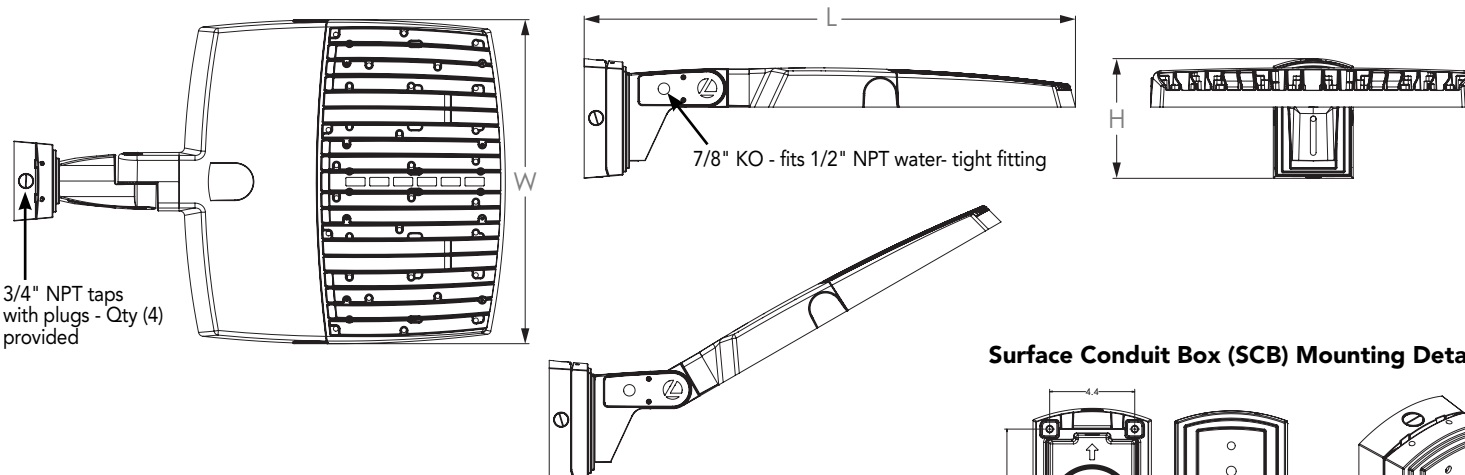


Length: 36.2" (91.9 cm)
 Width: 25.0" (63.5 cm)
 Height: 3.0" (7.6 cm) Main Body
 8.9" (22.6 cm) Arm

Wall Bracket (WBA) Mounting Detail

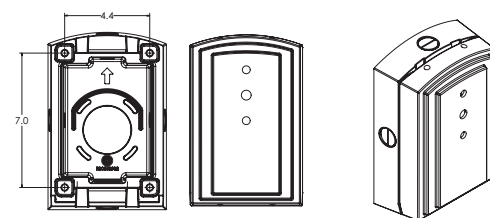


RSXF4 with Adjustable Tilt Arm with Wall Bracket and Surface Conduit Box (AAWSC)



Length: 37.9" (96.3 cm)
 Width: 25.0" (63.5 cm)
 Height: 3.0" (7.6 cm) Main Body
 9.2" (23.4 cm) Arm

Surface Conduit Box (SCB) Mounting Detail



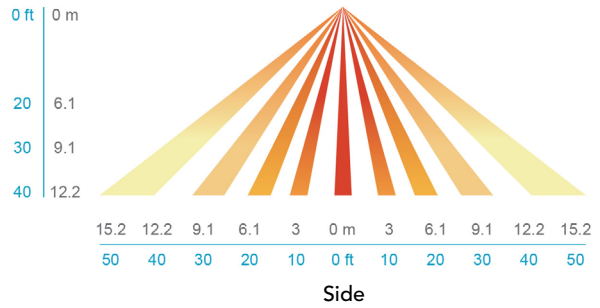
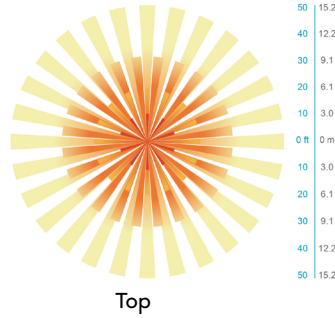
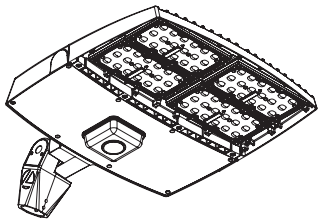
Additional Reference Drawings



Option CE34 Reference Dimensions

PIRHN nLight Sensor Coverage Pattern

nLight PIRHN



Motion Sensor Default Settings - Option PIRHN						
Option	Dimmed State (unoccupied)	High Level (when occupied)	Photocell Operation	Dwell Time (occupancy time delay)	Ramp-up Time (from unoccupied to occupied)	Ramp-down Time (from occupied to unoccupied)
PIRHN	Approx. 30% Output	100% Output	Enabled @ 1.5FC	7.5 minutes	3 seconds	5 minutes

*Note: PIRHN default settings including photocell set-point, high/low dim rates, and occupancy sensor time delay are all configurable using the Clarity Pro App.

FEATURES & SPECIFICATIONS

INTENDED USE

The RSXF LED flood family is designed to provide a long-lasting, energy-efficient solution for the one-for-one replacement of existing metal halide or high pressure sodium lighting. The RSXF4 delivers 40,000 to 85,000 lumens and is ideal for replacing 1000W and 1500W HID floodlights in parking lots and other large area lighting applications.

CONSTRUCTION

The RSXF LED flood luminaire features a rugged die-cast aluminum main body that uses heat-dissipating fins and flow-through venting to provide optimal thermal management that both enhances LED performance and extends component life. Integral adjustable slipfitter mounts on a 2 3/8" OD tenon. The adjustable slipfitter has an integral junction box for easy installation. The light engines and housing are sealed against moisture and environmental contaminants to IP66. RSXF is Vibration rated per ANSI C136.31: RSXF and mountings rated for 3G vibration include IS, YK, AASP and AARP. RSXF and mountings rated for 1.5G vibration include AAWB and AAWSC.

FINISH

Exterior parts are protected by a zinc-infused Super Durable TGIC thermoset powder coat finish that provides superior resistance to corrosion and weathering. A tightly controlled multi-stage process ensures superior adhesion as well as a minimum finish thickness of 3 mils. The result is a high-quality finish that is warranted not to crack or peel.

OPTICS

Precision acrylic refractive lenses are engineered for superior application efficiency, distributing the light to where it is needed most. Available in narrow and wide pattern distributions including Wide Flood, Medium Flood, Narrow Flood, Spot, Narrow Spot and an Area Wide/Forward distribution pattern featuring a strong forward throw reach that is ideal for lighting large areas from the perimeter.

ELECTRICAL

Light engine(s) configurations consist of high-efficacy LEDs mounted on metal-core circuit boards and aluminum heat sinks to maximize heat dissipation. Light engines are IP66 rated. LED lumen maintenance is >L92/100,000 hours. CCT's of 3000K, 4000K and 5000K (minimum 70 CRI) are available. Class 1 electronic drivers ensure system power factor >90% and THD <20%. Easily serviceable 10kV surge protection device meets a minimum Category C Low operation (per ANSI/IEEE C62.41.2).

STANDARD CONTROLS

The RSXF LED flood luminaire has a wide assortment of control options. Dusk to dawn controls include MVOLT and 347V button-type photocells and NEMA twist-lock photocell receptacles.

nLIGHT AIR CONTROLS

The RSXF LED flood luminaire is also available with nLight® AIR which can be used for simple motion occupancy dimming or for the ultimate in wireless control. This powerful controls platform provides out-of-the-box basic motion sensing with photocontrol functionality and is suitable for mounting heights up to 40 feet. No commissioning is required when using factory default settings that provide basic stand-alone motion occupancy dimming that is switched on and off with a built-in photocell. See chart above for motion sensor default out-of-box settings. For more advanced wireless functionality, such as group dimming, nLight AIR can be commissioned using a smartphone and the easy-to-use CLAIRITY app. nLight AIR equipped luminaires can be grouped, resulting in motion sensor and photocell group response without the need for additional equipment. Scheduled dimming with motion sensor over-ride can be achieved when used with the nLight Eclipse. Additional information about nLight Air can be found [here](#).

INSTALLATION

The integral "IS" mount offers an adjustable slipfitter that mounts on a 2 3/8" OD tenon. The adjustable slipfitter has an integral junction box and offers easy installation, wiring and precision distribution pattern aiming. A steel yoke mount is also available and includes a water tight cord grip and cord. Additional mountings are available including an adjustable tilt arm for direct-to-pole and wall and a surface conduit box for wall mount applications. All mountings are adjustable in 5° increments. RSXF flood is not rated for tilting above 90° or mounting within 4 feet of ground. Can be tilted up to 90° above horizontal.

LISTINGS

CSA Certified to meet U.S. and Canadian standards. Suitable for wet locations. Rated for -40°C minimum ambient. DesignLights Consortium® (DLC) Premium qualified product and DLC qualified product. Not all versions of this product may be DLC Premium qualified or DLC qualified. Please check the DLC Qualified Products List at www.designlights.org/QPL to confirm which versions are qualified. International Dark-Sky Association (IDA) Fixture Seal of Approval (FSA) is available for all products on this page utilizing 3000K color temperature only. U.S Patent No. D882,146S and U.S Patent No. 11,085,619 B2

BUY AMERICAN

Product with the BAA option is assembled in the USA and meets the Buy America(n) government procurement requirements under FAR, DFARS and DOT. Please refer to www.acuitybrands.com/buy-american for additional information.

WARRANTY

5-year limited warranty. Complete warranty terms located at: www.acuitybrands.com/support/warranty/terms-and-conditions

Note: Actual performance may differ as a result of end-user environment and application. All values are design or typical values, measured under laboratory conditions at 25 °C. Specifications subject to change without notice.